

MYS TUMBLER ROUND VIBRATING SCREEN



Tumbler round vibrating screen is also called round rotary vibrating screen, which is a low frequency rotary vibrating screen modeled on manual operation screen. The working principle is instantaneous motion composition of radial displacement and circular motion taking radial displacement as axis(spiral motion). There vibration exciter whose eccentric can be adjusted generates nonlinear

Address : Chamber of commerce Building, 688 Jinsui East Road, Xinxiang City, China

Factory : 289 Jinsui East Road, Xinxiang City, China

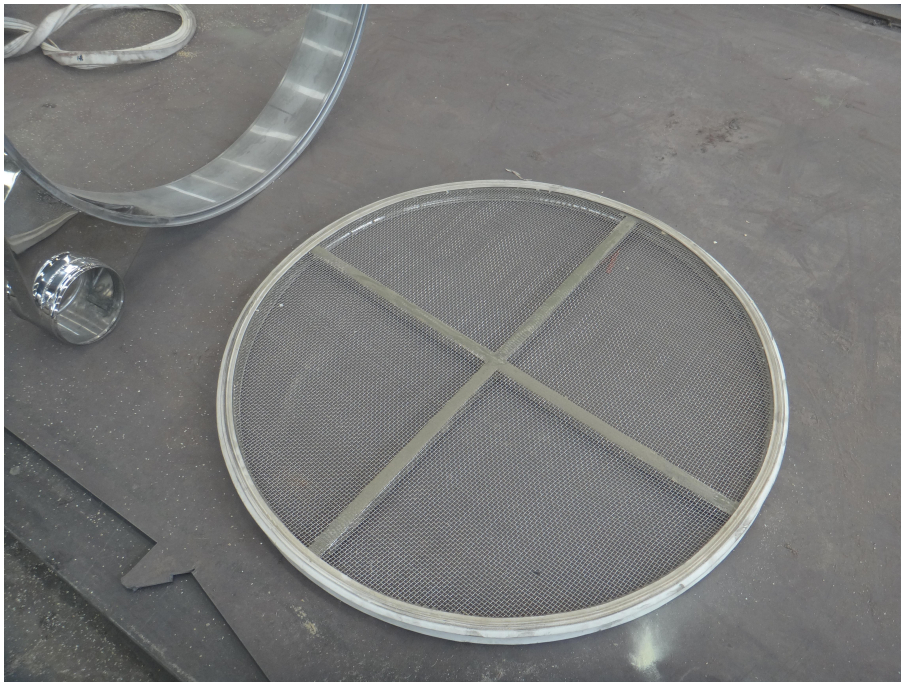
Phone : 0086-3732698111 **Fax** : 0086 – 373 3045038

Email : sales@megayoungscreener.com gyratoryscreener@hotmail.com

Website: www.gyratoryscreeners.com

three-dimensional movement. While the material also generates the motion which is similar to manual operation to achieve the screening purpose. The motion matching up other screen parts can reach much better screening effect. The material is suitable for Spherical, cylindrical, sheet and irregular shape even if it is easy to block the screen mesh.

Structures



Screen is easy to change

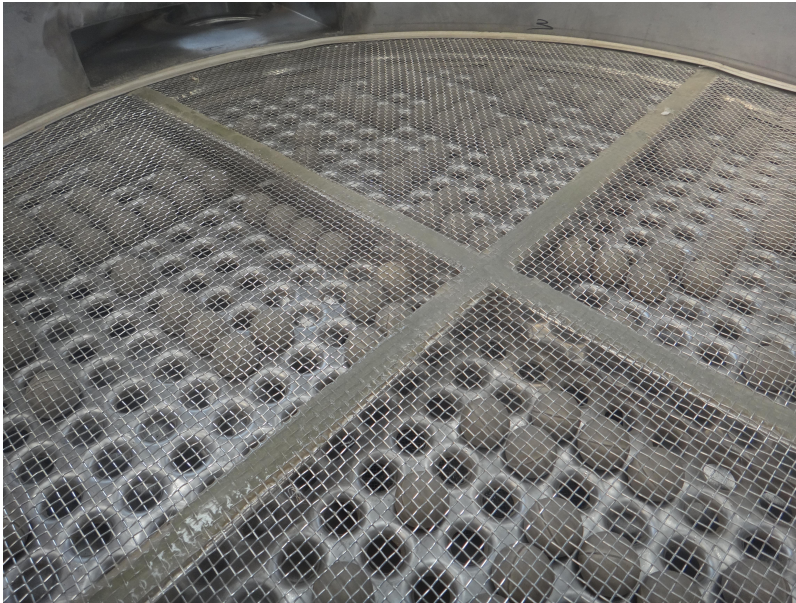
Address : Chamber of commerce Building, 688 Jinsui East Road, Xinxiang City, China

Factory : 289 Jinsui East Road, Xinxiang City, China

Phone : 0086-3732698111 **Fax** : 0086 – 373 3045038

Email : sales@megayoungscreener.com gyrotoryscreener@hotmail.com

Website: www.gyrotoryscreeners.com



Bouncing ball prevents the screen from blocking



Abrasion Resistance punching screen deck

Address : Chamber of commerce Building, 688 Jinsui East Road, Xinxiang City, China

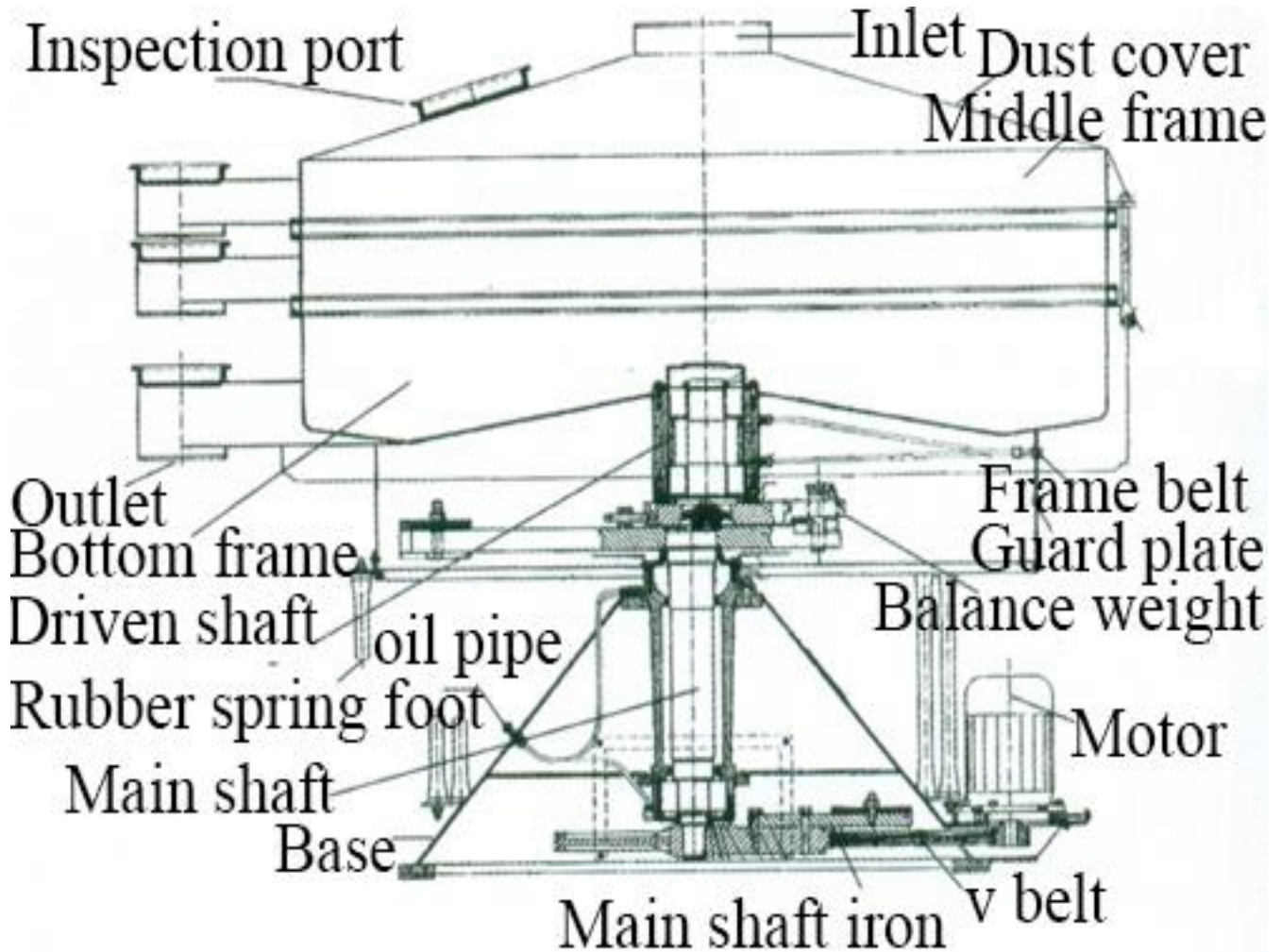
Factory : 289 Jinsui East Road, Xinxiang City, China

Phone : 0086-3732698111 **Fax :** 0086 – 373 3045038

Email : sales@megayoungscreener.com gyrotoryscreener@hotmail.com

Website: www.gyrotoryscreeners.com

Diagram



Address : Chamber of commerce Building, 688 Jinsui East Road, Xinxiang City, China

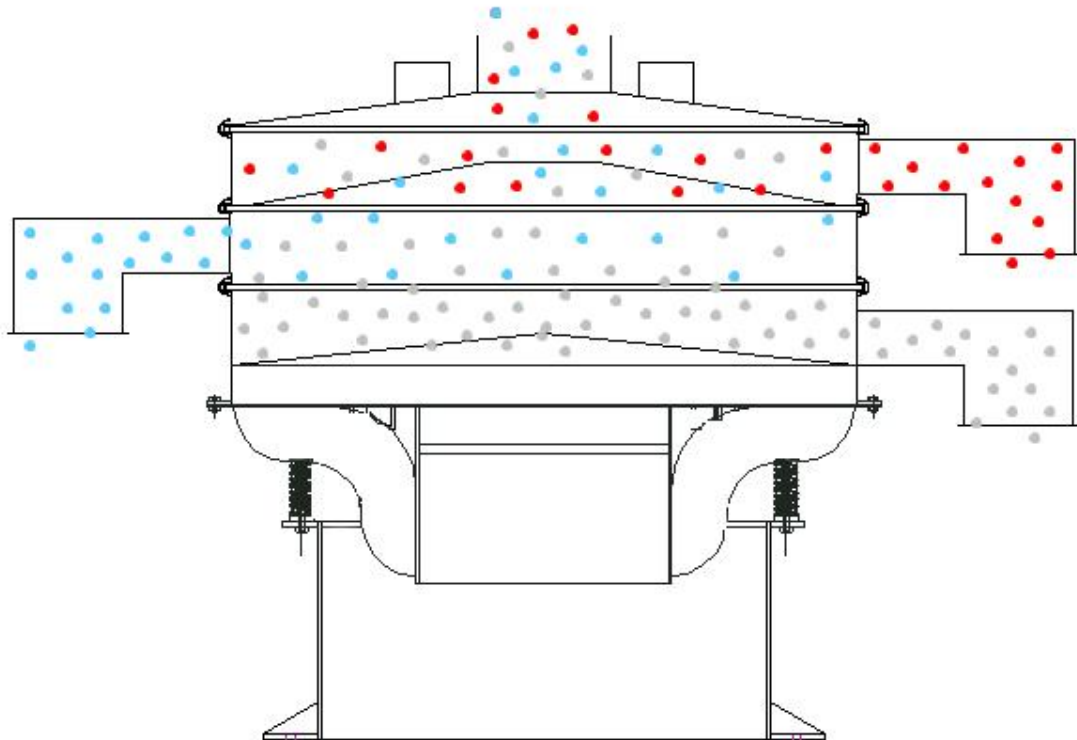
Factory : 289 Jinsui East Road, Xinxiang City, China

Phone : 0086-3732698111 **Fax** : 0086 – 373 3045038

Email : sales@megayoungscreener.com gyratrorscreener@hotmail.com

Website: www.gyratrorscreeners.com

Working Principle



1. Basic rotary motion is similar to manual screening. The eccentricity can be adjustable from 25 to 40mm, low -speed V-belt drive is adjustable from 120 to 360rpm.

2. Each product' dwell time can be adjusted by radial and tangential angle in the direction of driving axis .

3. Therefore, establishing the horizontal and throwing three-dimensional rolling movement, materials are evenly dispersed on the entire sieve surface from the center to the outer edge, and thus spread towards the axis by spiral movement. Small particles are separated completely in the whole sieving process.

Address : Chamber of commerce Building, 688 Jinsui East Road, Xinxiang City, China

Factory : 289 Jinsui East Road, Xinxiang City, China

Phone : 0086-3732698111 **Fax** : 0086 – 373 3045038

Email : sales@megayoungscreener.com gyratoryscreener@hotmail.com

Website: www.gyratoryscreeners.com

4.The horizontal and vertical acceleration are increased with the movement of the particles and then the particles which are close to mesh size will be successfully separated. The larger particles are transported to the exit, the flow can be controlled by a regulated oriented device at the exit, the oriented device is another factor which controls the dwell time of the materials.

5.The process is repeated in each screen deck.

Features

1. Delicate design and unique structure improves the service life and reduces the working and maintenance cost.
2. Small volume, light weight, easy installation and maintenance, low power consumption and noise.
3. Big capacity, high efficiency, screening precision can be up to above 95%.
4. Totally enclosed structure prevents the dust pollution.
5. The discharge port can be adjusted within 360 degrees circumference
6. Screen is easy to be changed and can meet the dry and wet separation.
7. Screen surface can be equipped with screen cleaning device which can solve the screen blocking.

Address : Chamber of commerce Building, 688 Jinsui East Road, Xinxiang City, China

Factory : 289 Jinsui East Road, Xinxiang City, China

Phone : 0086-3732698111 **Fax** : 0086 – 373 3045038

Email :sales@megayoungscreener.com gyratoryscreener@hotmail.com

Website: www.gyratoryscreeners.com

Specification

Model	MYS600	MYS1000	MYS1200	MYS1600	MYS2000	MYS2600
Dia.	650 mm	1040 mm	1250 mm	1580 mm	1880 mm	2650 mm
Screening area	0.29M2	0.76 M2	1.1 M2	1.8 M2	2.6 M2	5.3 M2
space requirement	0.4 M2	1.8 M2	2.5 M2	3.9 M2	5.6 M2	9.6 M2
Layers	1-5	1-5	1-5	1-5	1-5	1-5
Power	0.25 KW	1.5 KW	2.2 KW	3.0 KW	4.0 KW	5.5 KW
Machine base	630 mm	900 mm	1100 mm	1340 mm	1340 mm	1940 mm
Height of single layer	830 mm	1155 mm	1480 mm	1480 mm	1500 mm	1580 mm
Weight of single layer	140 KG	490 KG	700 KG	980 KG	1050 KG	1900 KG
Height of 2 layers	965 mm	1280 mm	1640 mm	1640 mm	1660 mm	1710 mm
Weight of 2 layers	155 KG	535 KG	770 KG	1060 KG	1140 KG	2000 KG
Height of 3 layers	1080 m m	1400 mm	1800 mm	1800 mm	1820 mm	1840 mm
Weight of 3 layers	170 KG	580 KG	840 KG	1140 KG	1230 KG	2100 KG

Address : Chamber of commerce Building, 688 Jinsui East Road, Xinxiang City, China

Factory : 289 Jinsui East Road, Xinxiang City, China

Phone : 0086-3732698111 **Fax** : 0086 – 373 3045038

Email : sales@megayoungscreener.com gyratoryscreener@hotmail.com

Website: www.gyratoryscreeners.com

Scope of Application



Tumbler screeners is widely used in chemical, medical, plastic, food, mining, environmental, grinding, ceramic, paper making industry and so on.

Food: Sugar, salt, alkali, gourmet, milk powder, soybean milk, yeast, juice, soy and vinegar.

Paper making: coating, coated slurry, black and white liquid, liquid waste, paper making waste water, water reclamation.

Metallurgy: titanium oxide, zinc oxide, electromagnetic material, metal powder and welding powder.

Medical: traditional Chinese medicine powder, traditional Chinese liquid, western medicine powder, western medicine liquid, Chinese and western medicine particles.

Environmental: rubbish, waste oil, foods waste water, waste water processing.

Address : Chamber of commerce Building, 688 Jinsui East Road, Xinxiang City, China

Factory : 289 Jinsui East Road, Xinxiang City, China

Phone : 0086-3732698111 **Fax :** 0086 – 373 3045038

Email : sales@megayoungscreener.com gyratoryscreener@hotmail.com

Website: www.gyratoryscreeners.com

Products Pictures



Address : Chamber of commerce Building, 688 Jinsui East Road, Xinxiang City, China

Factory : 289 Jinsui East Road, Xinxiang City, China

Phone : 0086-3732698111 **Fax** : 0086 – 373 3045038

Email :sales@megayoungscreener.com gyratrorscreener@hotmail.com

Website: www.gyratrorscreeners.com